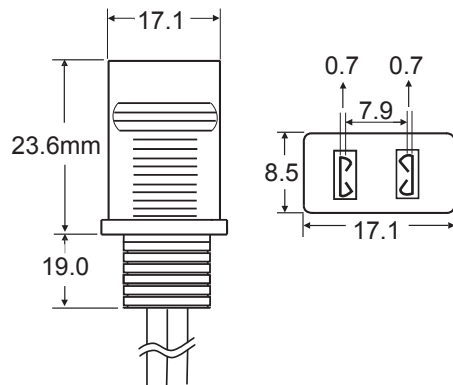
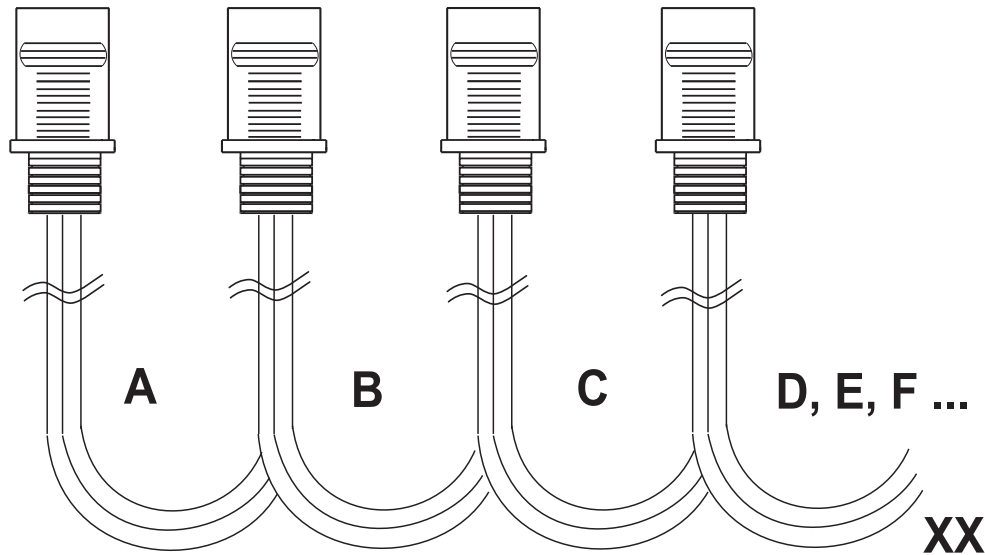


Revision			
Rev.	Description	Date	Approved
A-2		2016/07/18	R/D



Description:

Daisy Chains Model No:

- DSC180B-07-XXX-AB*-BC*-CD*...-XX
- XXX=2AB, 3ABC, 4ABCD, 5ABCDE ...numbers of plug
- -AB*-BC*-CD*...*=cord length, mm
between plugs A-B, B-C, C-D ...
- XX=end cord length, mm

Plug:

- Contact: brass for DSC180B-07
- Fit tib size: 3.1W. X Thk.0.5mm for DSC180B-07
- Material: PVC compound UL94V-0

Cord:

- UL/CSA listed spt-1 18awg x 2c 105° black
- Any length buyer's need is acceptable upon request
- Ending: cut off or stripped / tinned are optional



Sinwan Electric Industries Co., Ltd.

Part Number:

DSC180B-07

Description:

Fan Power Cord
For 0.7mm push-in terminal pins