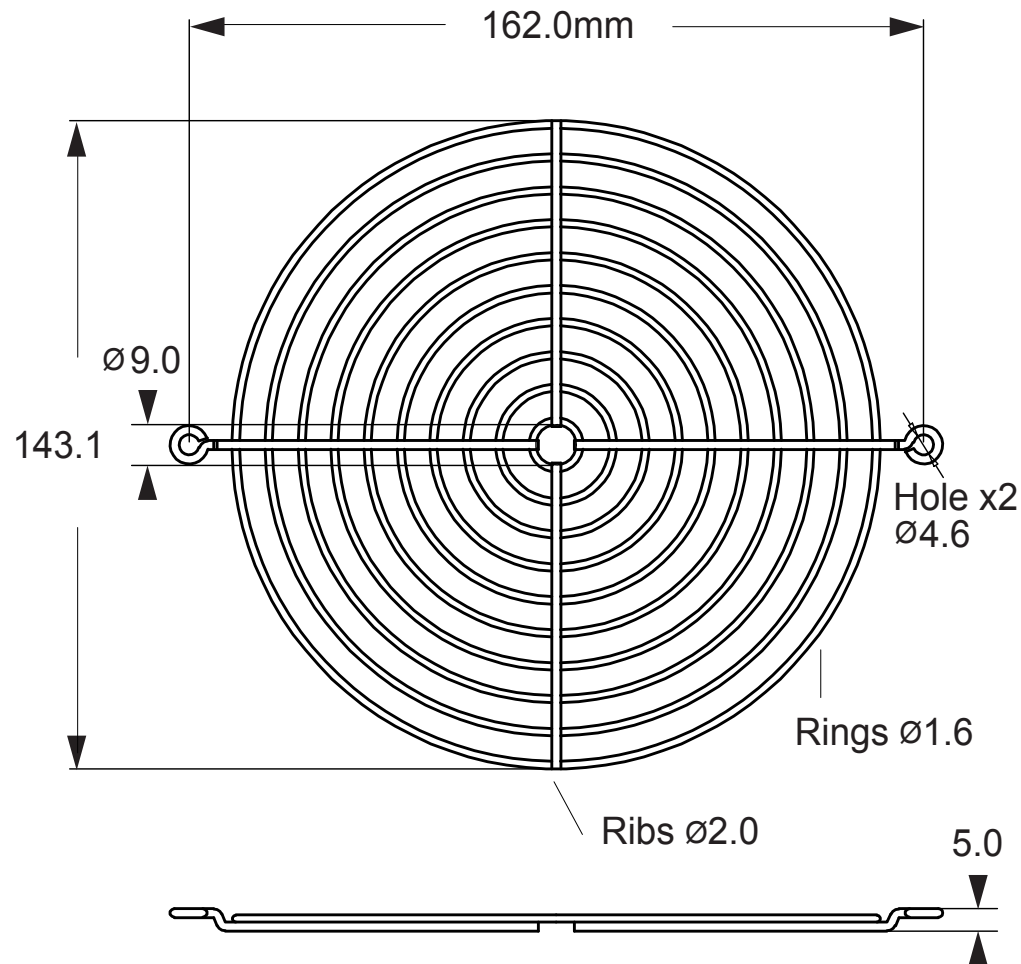


| Revision |             |           |          |
|----------|-------------|-----------|----------|
| Rev.     | Description | Date      | Approved |
| A-2      |             | 2015/1/23 | RD       |



**Specifications:**

1. General tolerance unless noted is  $\pm 0.5\text{mm}$
2. Hole to Hole:  $162.0\text{mm} \pm 0.5\text{mm}$
3. Holes dia.:  $4.6\text{mm} \pm 0.2\text{mm}$
4. Outer ring dia.:  $143.1\text{mm} \pm 0.5\text{mm}$
5. Ring dia.:  $1.6\text{mm} \pm 0.1\text{mm}$
6. Rib dia.:  $2.0\text{mm} \pm 0.1\text{mm}$
7. Height.:  $5.0\text{mm} \pm 0.2\text{mm}$
8. Stagger welds: 10 rings

**Material:**

- Rings & Ribs Steel wire BLI-195(C1008)
- Surface Treating  
Nickled-chrome electro plating surface, bright color (Black color & other platings are available on request)
- Comply with the limits as set by RoHS / SVHC
- Weld Joins Contact Strength  
Spot welding Points to withstand min. 220lbs(100Kgs.)
- Weight: 48.0Gm

**Mates with:**

- SD173, SD175, S172, S162, S150, M172, MD175 series cooling fan

 **Sinwan Electric Industries Co., Ltd.**

Part Number:

**G172-10A**

Description:

Metal Fan Guard For 172mm (6") Fan